

◆ Christian Broadcaster ◆

WOCB - TV 39 Marion, Ohio

WXCB - TV 42 Delaware, Ohio

WOCB - TV 48 Kenton, Ohio

WGCT - TV 8 Columbus, Ohio

Volume 2 Issue 93

The Central Ohio Association of Christian Broadcasters Inc.

March 2006



Happy St.
Patrick's Day

SPRING TELETHON & AUCTION

Spring is just around the corner, get ready for our Annual Spring Telethon and Auction being held on March 2nd through March 5th. This year things will be a little bit different for the Columbus and Delaware stations. The staff for these two stations have many surprises planned for the viewers.



We have promised to not tell and you will be pleasantly surprised when you tune in. Meanwhile, Kenton and Marion will have their normal auction and telethon this year. Please note time changes for all stations on Thursday and Friday night. The dates include: Thursday, March 2nd and Friday, March 3rd from 6 pm to 9 pm, Saturday, March 4 from 2 pm to 9 pm, Sunday, March 5th from 1 pm to 7 pm. For Kenton and Marion: Thursday, Friday and Saturday will be filled with items donated by local businesses and individuals. If you have a donation or would like to help auction off an item, please contact the stations and schedule a date and time for your appearance. TV 48, 14 N. Main St., Kenton, OH, (419) 673-1479; TV 42, 36 Spring St., Delaware, OH, (740) 369-5656; TV 39, 1282 N. Main St., Marion, OH, (740) 383-1794; Columbus (614) 559-3937.

PARTNERING WITH THE COACB

The COACB is seeking businesses and individuals to partner with it to produce special programs for broadcast over COACB stations. The partner provides the funds needed and is recognized at both the beginning and the end of the program for their contribution.

Example: This program is made possible through a grant by _____. This is followed by information about the company or individual who made the program possible.

Example: The costs to produce and air programs is: **Pub-**

LIVE GOSPEL SINGINGS

Due to the telethon, Delaware will be having their Saturday live gospel singing this month on the second Saturday at the studio in Delaware, Ohio, 36 Spring Street. The next scheduled singing is on Saturday, March 11, 2006 from 7:00 to 9:00 p.m. Featured singers include Ounce of Hope and Jim Jenkins.

The third Saturday night of each month we have a live gospel singing at the studio in Marion, Ohio, 1282 N. Main Street. The next scheduled singing is Saturday, March 18, 2006 from 7:00 to 9:00 p.m. Featured singers will be Harmonica Man, Home Lighter Gospel Quartet, Robert Blankenship, and Becky Sizemore.

The fourth Saturday night of each month we have a live gospel singing at the studio in Kenton, Ohio, 14 N. Main Street. The next scheduled singing is Saturday, March 25, 2006 from 7:00 to 9:00 p.m. Featured singers will be David and Brends Babbs, and ONU Gospel Ensemble.

Free admission. Everyone welcome.

MARCH LOVE GIFT

While they last, we have a limited number of flashlight key chains with our information on the love gift. **With your best ministry gift of \$10 or more we will rush you this love gift.**

COACB VOLUNTEER



Dave Dodge is an active volunteer at the Marion station. He helps with the envelope stuffing and even starts folding them the night before. **Thank you, Dave, for being COACB volunteer.**

(continued on page 2)

Prayerline Numbers & Contact Information

WOCB TV 39
1282 N. Main St.
Marion, OH 43302
(800) 852-8199
(740) 383-1794

WOCB TV 48
14 N. Main St.
Kenton, OH 43326
(419) 673-1470

WXCB TV 42
36 Spring St.
Delaware, OH 43015
(740) 369-5656

WGCT TV 8
(614) 559-3937



Try These Recipes

HONEY LAYER CAKE

THELMA AIKEN

2 cups cake flour; ¼ teaspoon salt; 1 teaspoon soda; ½ teaspoon ginger; ½ teaspoon cinnamon; ½ cup shortening; 1 cup honey; 1 egg separated; 2 tablespoons lemon juice or vinegar plus enough milk to make ½ cup liquid.

Sift, then measure flour; sift 3 times with salt and spices. Cream shortening, add honey gradually, beating thoroughly. Add dry ingredients alternately with milk mixture. Blend thoroughly. Blend in stiffen beaten egg white. Pour into 2 greased 1-inch cake pans. Bake in 350 degree oven for 30 to 35 minutes. Cool and frost.

QUICK STRAWBERRY FROSTING

1 egg white; 1/8 teaspoon salt; 1 cup strawberry preserves or any tart jam or jelly; Combine and beat until frosting will stand in peaks. Spread on cake.

ORANGE SALAD

BETTY SYCK

1 – 8 oz can crushed pineapple, drained; 1 – 3 oz package orange Jell; 1 – 12 oz carton small curd cottage cheese; 1 – 8 oz carton Cool Whip

Mix pineapple, orange Jello and cottage cheese. Fold in Cool Whip and chill until ready to serve.

ANYWHERE IN THE WORLD

Several months ago we installed a FTP server so we can accept programs directly to our Broadcast Computer System via the World Wide Web. We are now in the process of setting up accounts for all programmers who wish to deliver their program directly to our Broadcast System. It takes 24 -72 hours to send a DVD from Germany. That same program can be downloaded to our FTP server in just 4 hours. The COACB can now accept programs at any time from anywhere in the world.

(continued from page 1)

lic Affairs \$200.00, Prayer Line \$50.00, Remote Broadcasts \$500.00, Gospel Sings \$200.00, Town Meetings \$200.00, Fairs \$200.00, and Parades \$500.00.

If you would be interested in partnering with the COACB on any of these projects, please call David Aiken at (740) 383-1794.

ANGEL FOOD DESSERT

BY RETA RUTHERFORD

2 cans (20 oz. ea.) unsweetened crushed pineapple, drained; 4 medium firm bananas, sliced; 1 loaf (10 ½ oz.) angel food cake, cut into 1 inch cubes; 3 cups cold fat free milk; 2 packages (1 oz. ea.) sugar free instant vanilla pudding mix; 1 carton (8 oz.) frozen reduced fat whipped topping, thawed; ½ cup pecans toasted

Place the pineapple in a bowl; gently fold in bananas. Place cake cubes in a 13 in. x 9 in.2 in dish; spoon fruit over cake. In a bowl, whisk milk and pudding mixes for 2 minutes. Let stand for 2 minutes or until soft set. Spread over fruit. Carefully spread whipped topping over pudding. Sprinkle with pecans. Cover and refrigerate for at least 2 hours before serving.

SPAGHETTI BAKE

DONNELL WILSON

2-10 oz. packages spaghetti, cooked and drained; 1 large onion, chopped; 4 cans tomato soup; 2 cans water; 1 can whole mushrooms; 3-4 pounds ground beef; 2 small green peppers, chopped; 2 teaspoons chili powder; ½ pound grated cheese; 1 teaspoon worchestershire sauce; 1 teaspoon oregano; 1 teaspoon sweet basil; 2 teaspoons garlic powder; salt and pepper to taste.

Saute ground beef and onions with salt, pepper and chili powder. Drain excess liquid. Pour these and all other ingredients, except cheese, into a large roaster pan. Mix well. Let stand for 5 to 6 hours. Sprinkle with grated cheese. Heat in 350 degree oven for 45 minutes. Serves 24.

STORIES FROM MY RELATIVES

JOHN HOFFMAN

My cousin Chris went to Court to have his name changed. The Judge asked him what his name was. He replied, "Chris Stinks." The Judge said, "I can see why you want to change your name. What do you want to change it to?" Chris replied, "Charley."

The **CHRISTIAN BROADCASTER** is published monthly by The Central Ohio Association of Christian Broadcasters Inc., an Ohio NOT-FOR-PROFIT Corporation. The IRS recognizes the organization as a type 501(c)(3) organization. Donations are **TAX DEDUCTIBLE.**

COACB

1282 North Main Street
Marion, Ohio 43302-1523
(740) 383-1794

www.coacb.org

E-mail: comments@coacb.org

**NEED AN
OUTING FOR
YOUR
GROUP???**



To schedule a free tour of any of our COACB stations, please call:
(740) 383 - 1794.

**Got a suggestion for
the COACB call:
(740) 383-1794
Or write to the
addresses on Page 1**

COACB WYFI

Readers already know that The COACB has four production studios located in three cities. Programs are produced at each and in the past these programs were recorded to DVD and the DVDs sent to Marion to be loaded on the broadcast server computer. This has caused problems. Programs have arrived in Marion with just minutes before broadcast time. Can you imagine the stress that puts on the engineer on duty? We finally had to require that all programs be delivered to Marion no less than twenty four hours before the scheduled broadcast time.

We now have technology that allows us to capture programs directly to a computer. We then transfer these programs to the broadcast computer through our new Wireless High Speed Computer network. We already use this technology for programs produced in the Marion and Delaware facilities and we are hoping to expand this capability to Kenton within the next month and on into Columbus within 60 days.

TODAY IS YOUR DAY

LAURA WILLIAMS

Some days we just get so overwhelmed with the duties of everyday life, that we feel stressed or pulled in many directions, as we try to accomplish our goals for the week or even that moment. Some days we feel sad or angry or depressed. It is hard some days to just sit back and relax and enjoy the day. We need to find something that brings a little relief to our day even if it is just a good cup of coffee or a joke that a friend tells us. God wants us to have joy unspeakable and full of glory despite what we may be going through. He is our comfort and joy. The bible says that the joy of the Lord is our strength. Nehemiah 8:10 No matter what, we need to trust the Lord. It doesn't do us any good to worry and get upset. The Bible says "This is the day that the Lord has made, let us rejoice and be glad in it." Psalms 118:24.

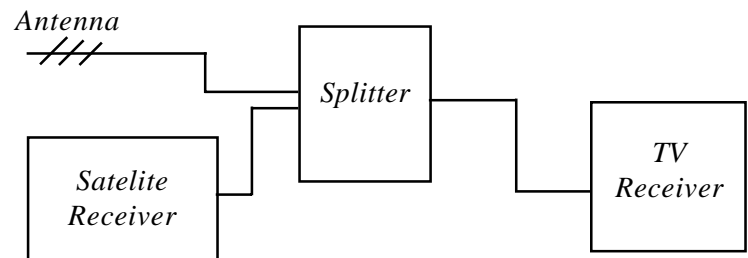
Be a

COACB Volunteer

Our COACB stations have over 200 volunteers for operation, if you would like to join us, call your local COACB station for more information.

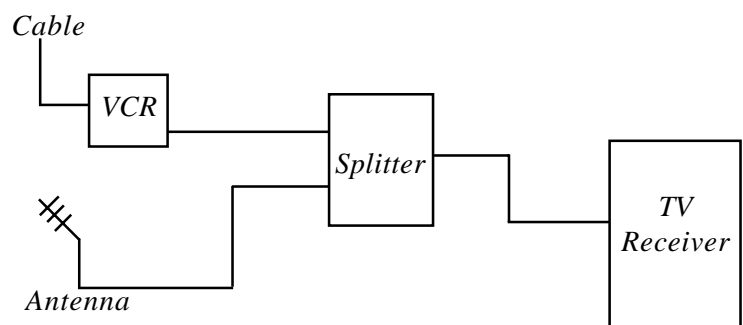
HOW DO I RECEIVE A COACB STATION IF I HAVE A SATELLITE SYSTEM?

All you need is a splitter and an antenna. All splitters can also operate as a combiner. We will combine the signal from the satellite system with that from the antenna. Most people use channel three as the output from their satellite receiver. That will go into one side of the splitter/combiner. The antenna hooks to the other side of the splitter and the TV is connected to the side marked input. This is now the output of the combined signal from both antenna and satellite receiver. Tune the TV to channel 3 to receive satellite programming and tune to any other channel to receive off the air signals, including your COACB stations. If you have any problems, first, check that the TV is set up for air and not cable. You can make your selection from the menu selection on the TV. A good antenna costs just \$10 and the splitter costs just \$.99. Both can be picked up at any COACB Station.



HOW DO I RECEIVE A COACB STATION IF I HAVE CABLE & MY COACB STATION IS NOT PART OF THE CABLE LINE UP?

Many people already have a video recorder and they usually take to output from the VCR as channel 3, so usually all you need is a splitter and an antenna. All splitters can also operate as a combiner. We will combine the signal from the VCR with that from the antenna. Most people use channel 3 as the output from their VCR. That will go into one side of the splitter/combiner. The antenna hooks to the other side of the splitter and the TV is connected to the side marked input. This is now the output of the combined signal from both antenna and VCR. Tune the TV to channel 3 to receive VCR and Cable signals. The remote from the VCR is used to select cable channels. Turn the TV to any other channel to receive off the air signals including your COACB stations. If you have any problems first check that the TV is set up for air and not cable. You can make your selection from the menu selection on the TV. A good antenna costs just \$10 and the splitter costs just \$.99. Both can be picked up at any COACB Station.



WOCB-CA & WXCBCA
LOCAL BROADCAST SCHEDULE
 REFER TO THE **TBN** SCHEDULE FOR ALL TIMES NOT LISTED.
 (REVISED 2 - 20 - 2006)

SUNDAY

11:00-NOON
 1:00-2:00 pm
 2:00-2:30 pm
 2:30-3:30 pm
 5:30-6:30 pm

By His Spirit
 Word of Truth
 Compare the Scriptures
 Time for the Lord
 Present Help

SATURDAY

5:00-5:30 pm
 5:30-6:00 pm
 6:00-6:30 pm
 6:30-7:00 pm
 7:00-9:00 pm
 7:00-9:00 pm
 7:00-9:00 pm

Public Affairs
 Set Free
 God Can (*wk #1, 3*) / Walking With God(*wk #2,4*)
 Kathleen Quick
Gospel Live Singing week #1,3,&4
Bluegrass Live Singing week #5
 TBN FEED ALL OTHER WEEKS

MONDAY

5:00-5:30 pm
 5:30-6:00 pm
 6:00-7:00 pm
 7:00-7:30 pm
 7:30-8:00 pm
 8:00-8:30 pm

TBA
 Hispano Cristiano
 Hymn Time
 Genoa Generations
Prayerline
 Godspell (*wk #1, 3*) / Revival Time (*wk #2, 4, 5*)

TUESDAY

5:00-5:30 pm
 5:30-6:00 pm
 6:00-6:30 pm
 6:30-7:00 pm
 7:00-7:30 pm
 7:30-8:00 pm
 8:00-8:30 pm

Public Affairs
 Life Is From God (*wk# 1*) / McDonald Family (*wk#2 & 4*) / Great Are You Lord (*wk#3*)
 New Jerusalem (*wk #1, 3*) / Center of Faith (*wk # 4*)
 Spirit of Truth
 Preaching the Gospel
Prayerline
 God Connections

WEDNESDAY

5:00-5:30 pm
 5:30-6:00 pm
 6:00-6:30 pm
 6:30-7:00 pm
 7:00-7:30 pm
 7:30-8:00 pm
 8:00-8:30 pm

Rejoice (*wk # 1, 3*) / True Life Miracle Ministry (*wk # 2, 4*)
 TBA
 Movin' On With Jim & Ron (*RR*)
 Eagle Christian
 Walking In Faith(*prayerline wk# 2,4*)
Prayerline
 Temple of Praise

THURSDAY

5:00-5:30 pm
 5:30-6:00 pm
 6:00-6:30 pm
 6:30-7:00 pm
 7:00-7:30 pm
 7:30-8:00 pm
 8:00-8:30 pm

A Witness Minsitry (*wk # 1,3*) / Love & Prayers (*wk # 2, 4*)
 Words of Life
 TBA
 TBA
 Unity in Jesus
Prayerline
 Miracle Life Ministries (*wk# 1, 2, 4, 5*) / Full Gospel Businessmen (*wk 3*)

FRIDAY

5:00-5:30 pm
 5:30-6:00 pm
 6:00-6:30 pm
 6:30-7:00 pm
 7:00-7:30 pm
 7:30-8:00 pm
 8:00-8:30 pm

Country Preacher
 Flaming Fire (*wk # 2, 4,5*) / A New Beginning (*wk # 1,3*)
 SRN (Shared Resources Network)
 Ewald Frank
 Life of Joy
Prayerline
 Go Preach

All times Eastern. Programs are subject to change without notice.

(CC) – Closed Captioned
 (RR) – Re-run program
 (PA) – Programs Alternate